

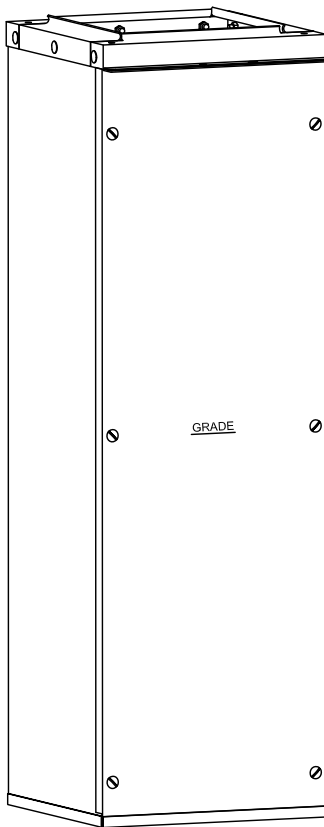
AUGUST 1, 2003

BULLETIN

USRL-03



UNDERGROUND SERVICE RACEWAY FOR METERING TRANSFORMER CABINETS AND METER PANELS



FEATURES:

- 14 GA. GALVANIZED STEEL CONSTRUCTION.
- OPEN BOTTOM WITH 1/2" HIGH ROLLED EDGE.
- PROVISIONS FOR UTILITY COMPANY PADLOCK AND SEAL.
- REMOVABLE TOP FASTENED WITH 1/4-20 STAINLESS STEEL CARRIAGE BOLTS.
- BUSHED OPENING IN TOP.

APPLICATION:

FOR USE WITH METERING TRANSFORMER CABINETS AND METER PANELS WHEN DIRECT BURIED LATERALS ARE ALLOWED BY THE UTILITY COMPANY. CHECK WITH THE LOCAL UTILITY COMPANY REPRESENTATIVE FOR SUITABILITY.

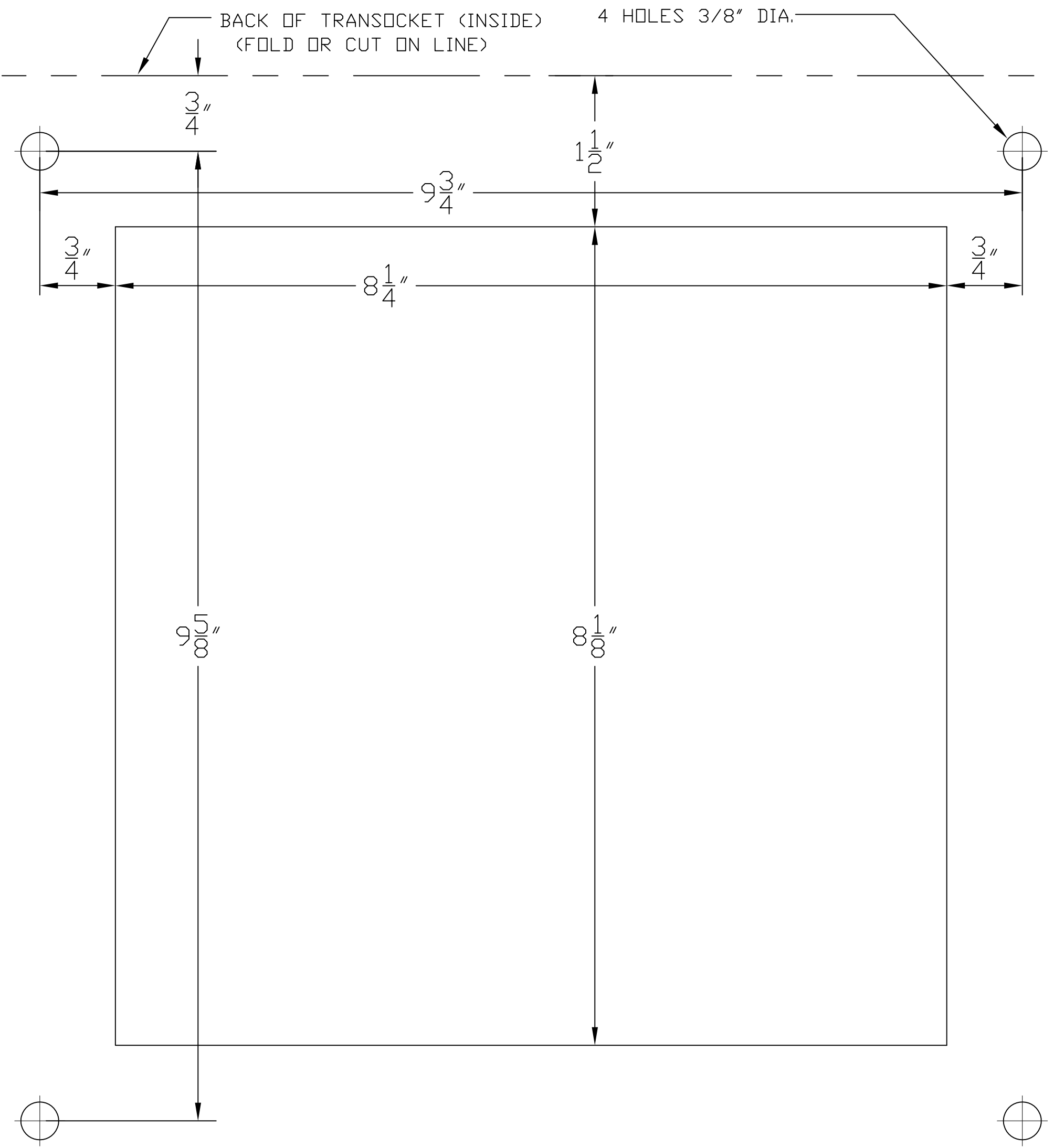


FILE NO. E62784

CATALOG NUMBER	WIDTH	DEPTH	HEIGHT
USRL-24	11-1/8"	11-1/8"	24"
USRL-36	11-1/8"	11-1/8"	36"
USRL-42	11-1/8"	11-1/8"	42"
USRL-54	11-1/8"	11-1/8"	54"

www.ericksonelectric.com

ERICKSON ELECTRICAL EQUIPMENT CO.
475 BONNIE LANE • ELK GROVE VILLAGE, IL 60007
TELEPHONE: (847) 640-7701 / 1-800-952-7225
FAX: (847) 640-0565



INSTRUCTIONS FOR INSTALLATION OF USRL UNIT

1. PLACE TEMPLATE INSIDE BOTTOM OF TRANSOCKET WITH BACK OF TEMPLATE AGAINST BACK OF TRANSOCKET.
2. MARK CENTER LOCATIONS OF 3/8" DIA. HOLES AND CORNERS OF CENTER RECTANGULAR OPENING.
3. DRILL FOUR 3/8" DIA. HOLES AND CUT OUT RECTANGULAR OPENING.
4. MOUNT USRL TO TRANSOCKET WITH FOUR 1/4-20 BOLTS AND NUTS.

(MUST PRINT ON 11 X 17 PAPER FOR ACCURATE SCALE)