



MAY 1, 2007

BULLETIN

PMCTMS-04A

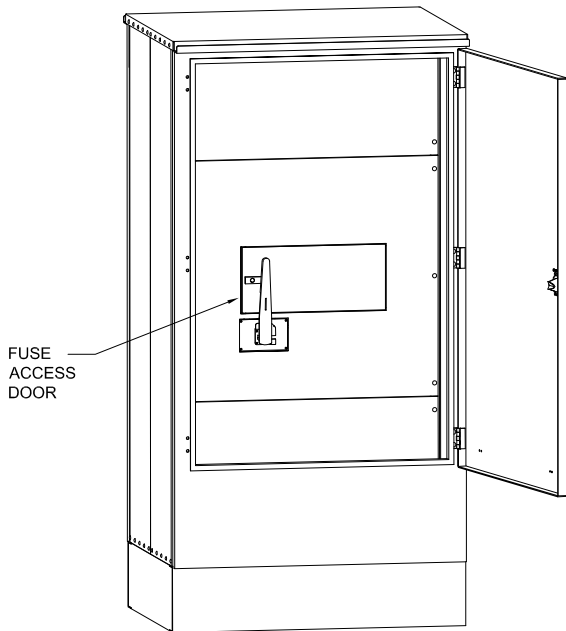
www.ericksonelectric.com

PAD MOUNTED METERING TRANSFORMER SECTION & MAIN SWITCH

400, 600 & 800 AMP.

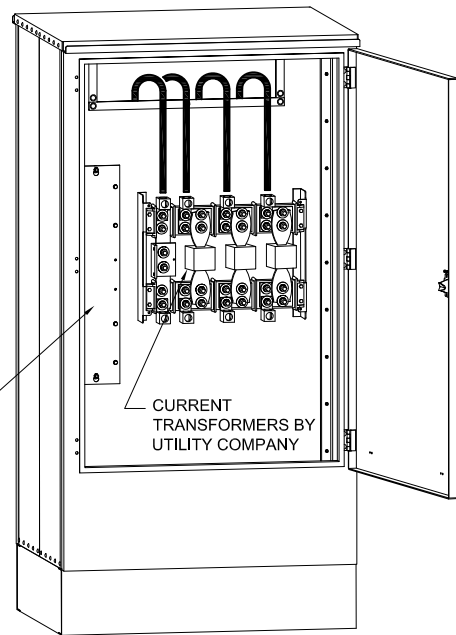


FILE NO. E25335



FUSE ACCESS DOOR

MAIN SWITCH COMPARTMENT WITH DEADFRONT COVERS IN PLACE. LOAD CONDUCTORS EXIT BELOW SWITCH.



POTENTIAL TRANSFORMER MOUNTING PLATE (WHEN REQUIRED)

CURRENT TRANSFORMERS BY UTILITY COMPANY

SECTION FOR TERMINATION OF UNDERGROUND SERVICE CONDUCTORS.

PAD MOUNTED, FREE STANDING

TYPE 3R ENCLOSURE

SUITABLE FOR USE AS SERVICE EQUIPMENT

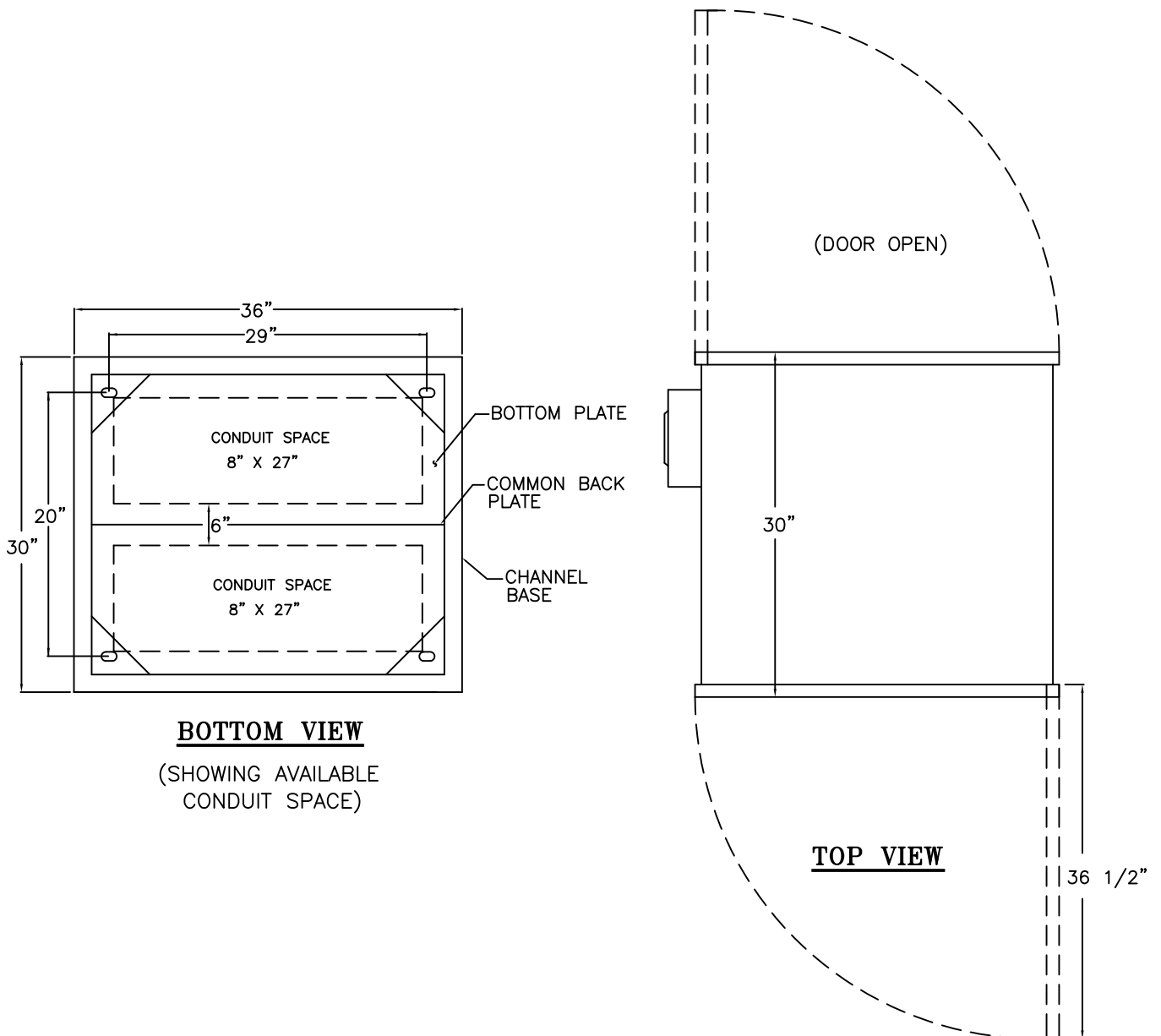
ERICKSON ELECTRICAL EQUIPMENT CO.
475 BONNIE LANE • ELK GROVE VILLAGE, IL 60007
TELEPHONE: (847) 640-7701 / 1-800-952-7225
FAX: (847) 640-0565

PAD MOUNTED METERING TRANSFORMER SECTION
& MAIN SWITCH

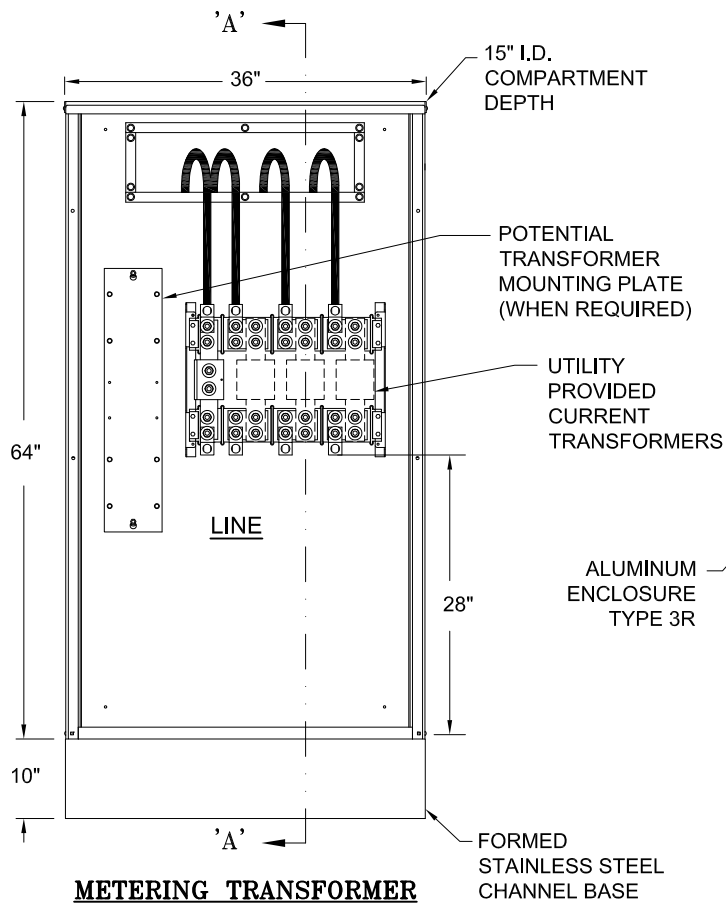
THIS EQUIPMENT IS LISTED BY UNDERWRITERS LABORATORIES INC.
AS 'DEADFRONT SWITCHBOARD' AND BEARS THEIR MARK.

SUITABLE FOR USE AS SERVICE EQUIPMENT

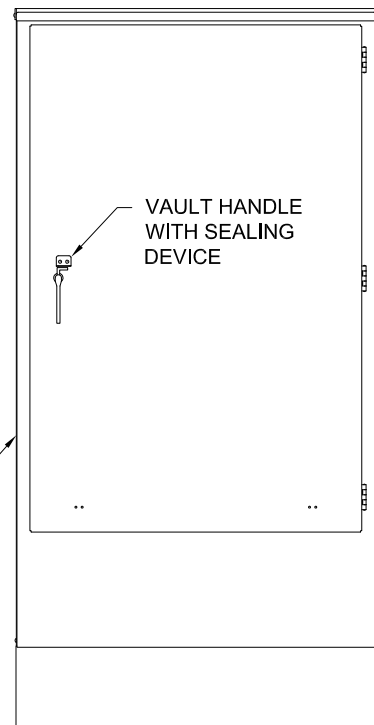
THE SHORT CIRCUIT CURRENT RATING OF THIS DEVICE IS 100,000 AMPS.



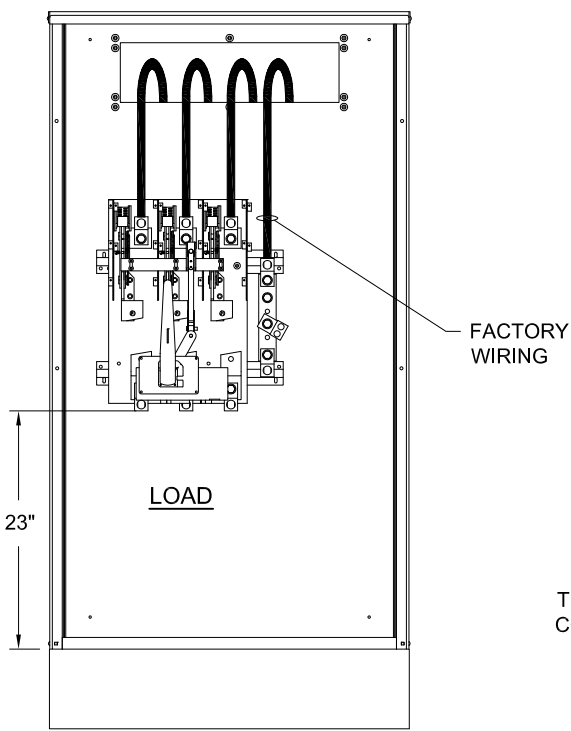
ERICKSON ELECTRICAL EQUIPMENT CO.
475 BONNIE LANE • ELK GROVE VILLAGE, IL 60007
TELEPHONE: (847) 640-7701 / 1-800-952-7225
FAX: (847) 640-0565



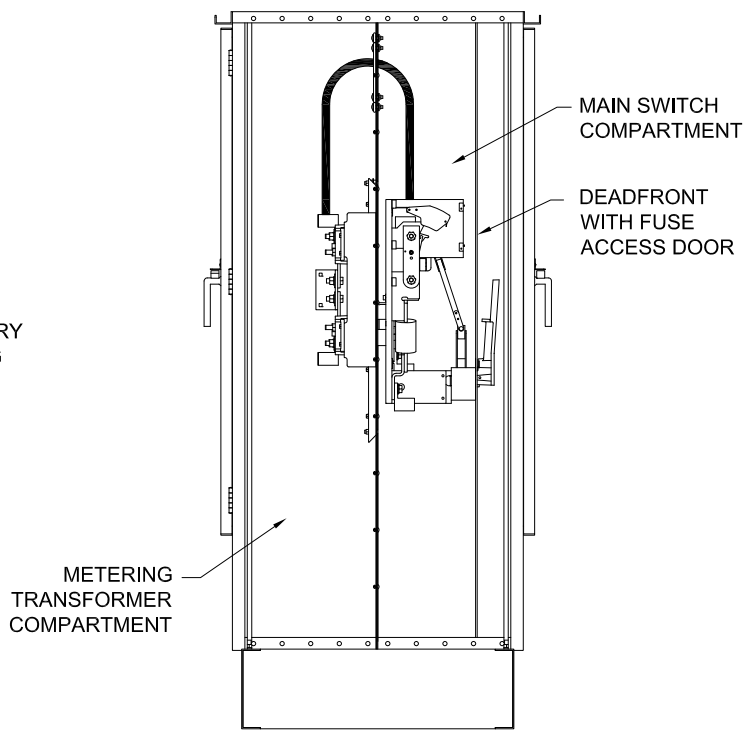
METERING TRANSFORMER COMPARTMENT
(COVER REMOVED)



FRONT ENCLOSED VIEW



MAIN SWITCH COMPARTMENT
(COVER REMOVED)

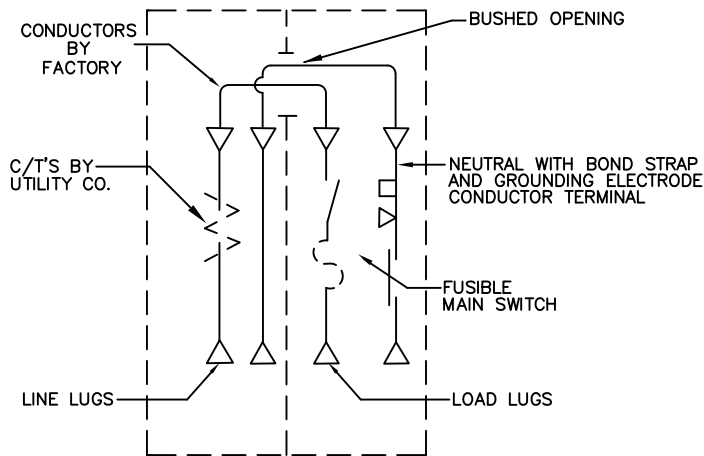


SECTION 'A'-'A'

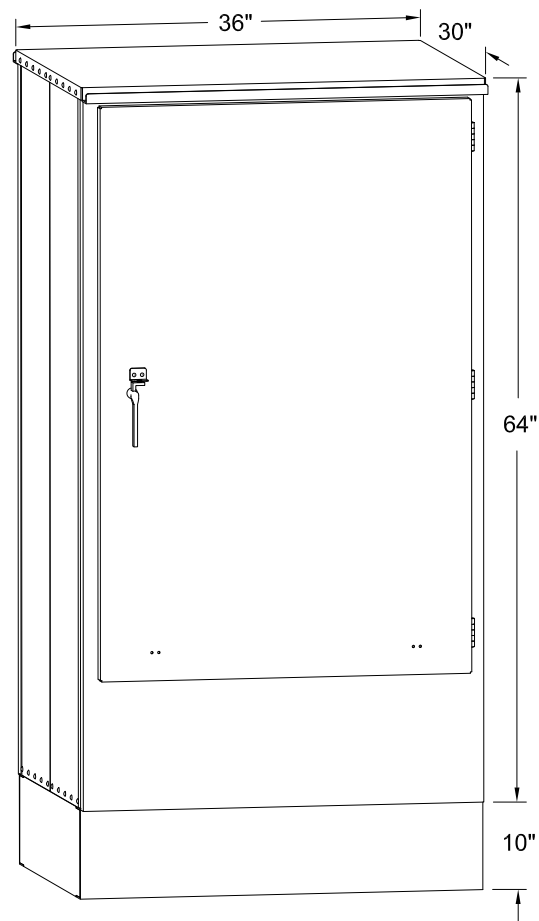
ERICKSON ELECTRICAL EQUIPMENT CO.
 475 BONNIE LANE • ELK GROVE VILLAGE, IL 60007
 TELEPHONE: (847) 640-7701 / 1-800-952-7225
 FAX: (847) 640-0565

PAD MOUNTED METERING TRANSFORMER SECTION
& MAIN SWITCH

400-800A 3Ø 4W CATALOG NUMBERS				
AMPACITY	208Y/120V CATALOG #	480Y/277V CATALOG # (INCLUDES GFI)	FUSE CLASS	SHIPPING WEIGHTS (LBS.)
400	PMCTMS-425N	PMCTMS-465N	J	475
600	PMCTMS-426N	PMCTMS-466N	J	525
800	PMCTMS-427N	PMCTMS-467N	L	550



ONE LINE DIAGRAM



ERICKSON ELECTRICAL EQUIPMENT CO.
 475 BONNIE LANE • ELK GROVE VILLAGE, IL 60007
 TELEPHONE: (847) 640-7701 / 1-800-952-7225
 FAX: (847) 640-0565