



JANUARY 1, 2007

BULLETIN

PMCT-07D

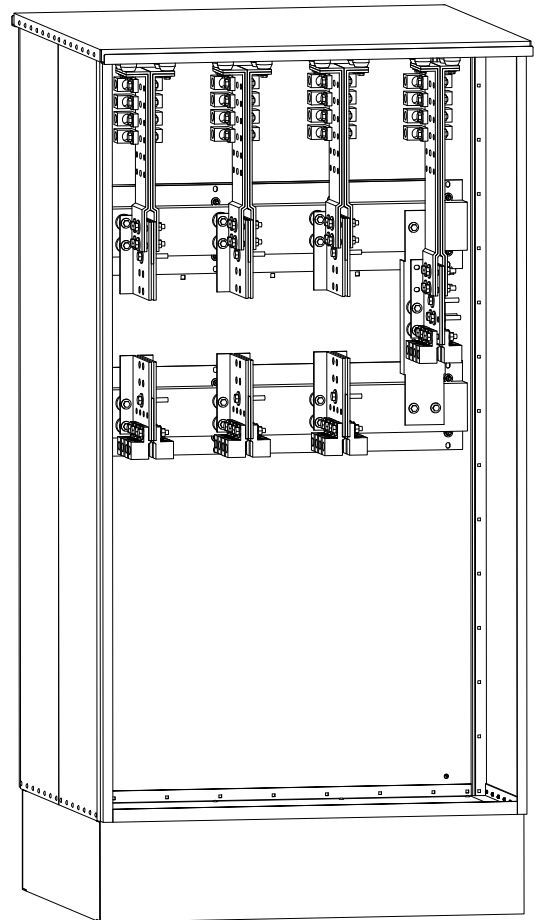
[www.ericksonelectric.com](http://www.ericksonelectric.com)

2500 - 3000 AMP.

PAD MOUNTED  
METERING  
TRANSFORMER  
CABINETS



FILE NO. E62784



600 VOLT MAXIMUM

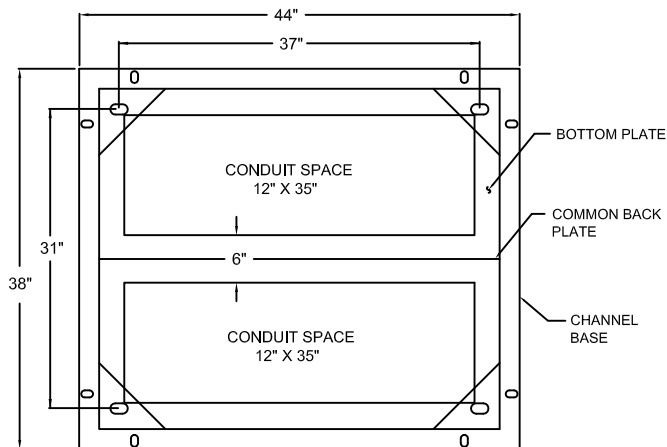
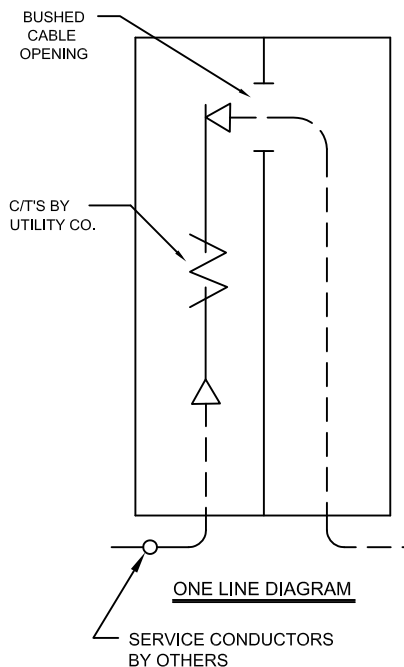
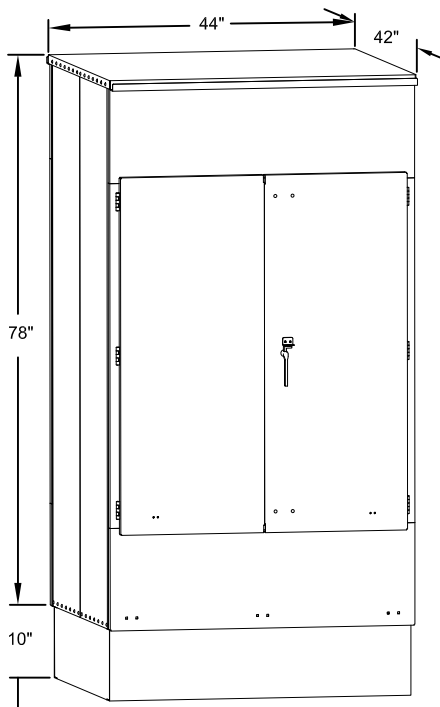
TYPE 3R ENCLOSURE

**ERICKSON ELECTRICAL EQUIPMENT CO.**  
475 BONNIE LANE • ELK GROVE VILLAGE, IL 60007  
TELEPHONE: (847) 640-7701 / 1-800-952-7225  
FAX: (847) 640-0565

# 600 VOLT MAX. CATALOG NUMBERS

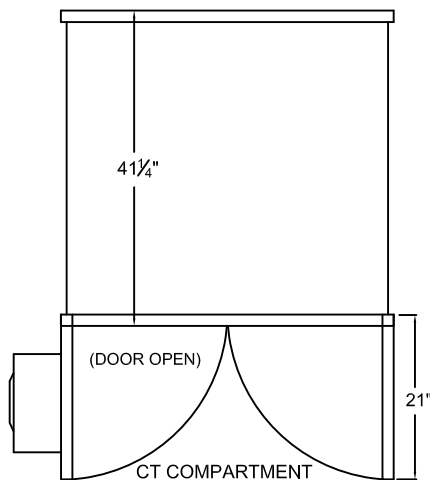
AMPACITY	3Ø 4W	LUGS PER PHASE 300-600 KCM		UNPROTECTED FAULT CURRENT RATING	ENCLOSURE SIZE			SHIPPING WEIGHTS
		LINE	LOAD		WIDTH	HEIGHT	DEPTH	
2500	PMCT-254	7	7	100,000 Amp	44"	88"	42"	725 LBS.
3000	PMCT-304	8	8	100,000 Amp	44"	88"	42"	750 LBS.

\* IF METER FITTING IS NEEDED ADD SUFFIX "MF" TO END OF CATALOG NUMBER.



BOTTOM VIEW  
(SHOWING AVAILABLE CONDUIT SPACE)

## REMOVABLE COVERS OVER CONDUCTOR COMPARTMENT



TOP VIEW

**ERICKSON ELECTRICAL EQUIPMENT CO.**  
475 BONNIE LANE • ELK GROVE VILLAGE, IL 60007  
TELEPHONE: (847) 640-7701 / 1-800-952-7225  
FAX: (847) 640-0565