



JANUARY 1, 2007

BULLETIN

PMCT-07C

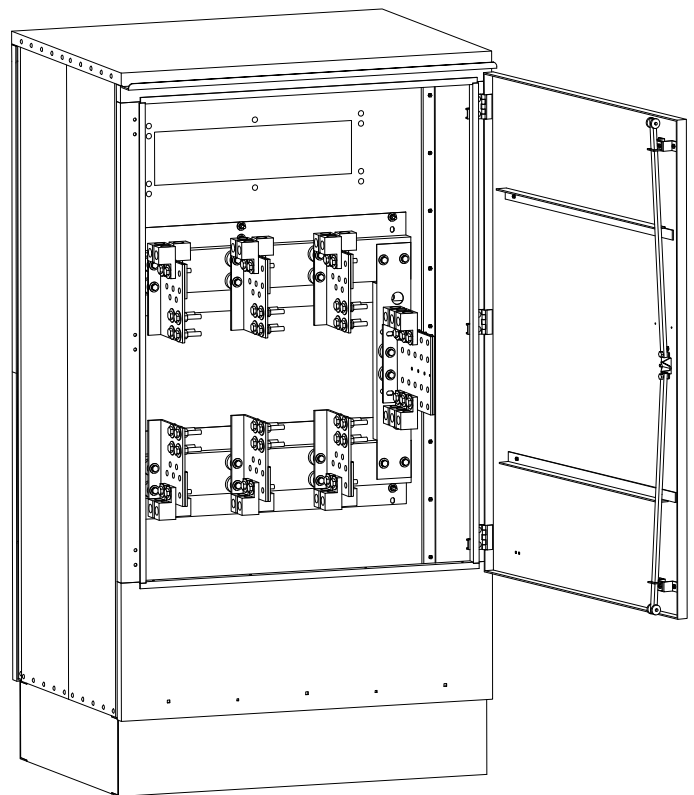
[www.ericksonelectric.com](http://www.ericksonelectric.com)

1200 - 2000 AMP.

PAD MOUNTED  
METERING  
TRANSFORMER  
CABINETS



FILE NO. E62784



600 VOLT MAXIMUM

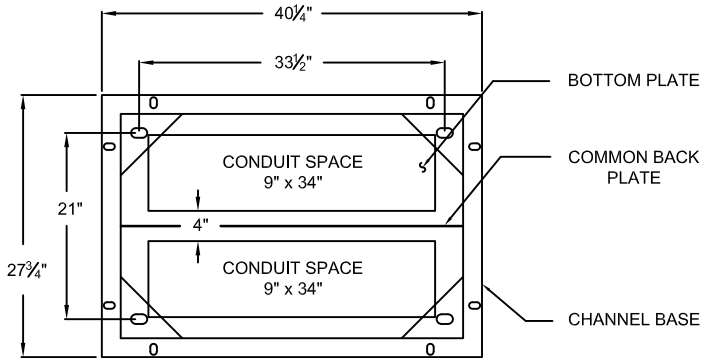
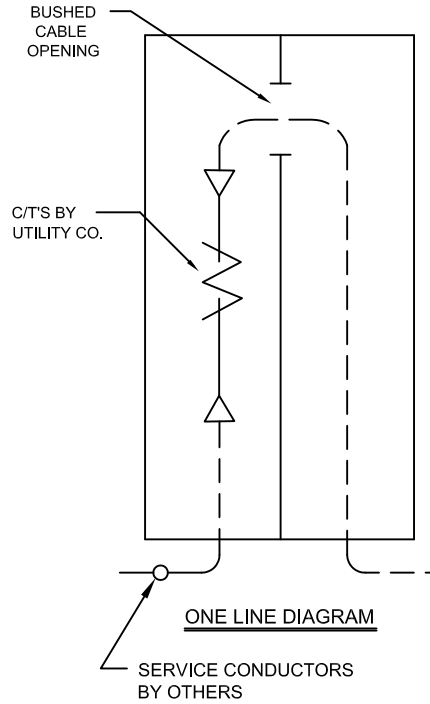
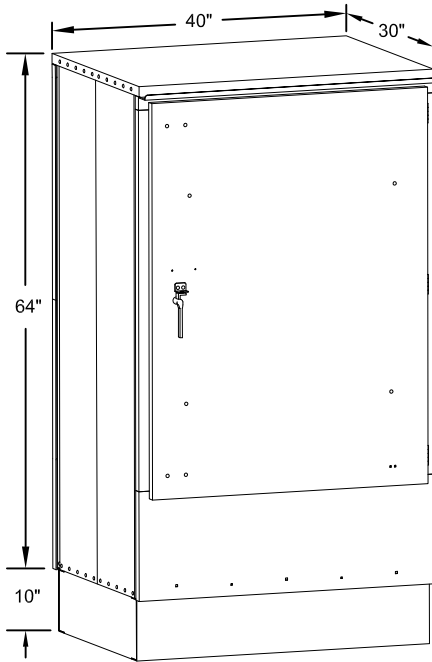
TYPE 3R ENCLOSURE  
FOR OUTDOOR USE

ERICKSON ELECTRICAL EQUIPMENT CO.  
475 BONNIE LANE • ELK GROVE VILLAGE, IL 60007  
TELEPHONE: (847) 640-7701 / 1-800-952-7225  
FAX: (847) 640-0565

# 600 VOLT MAX. CATALOG NUMBERS

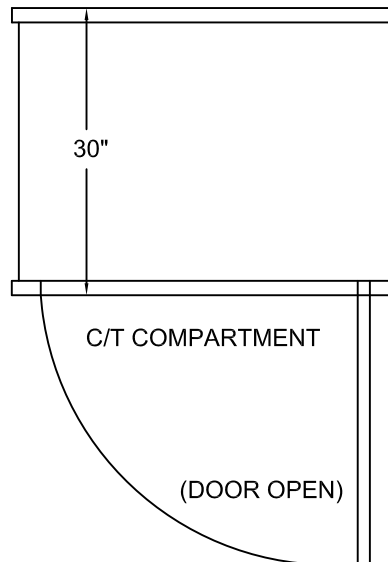
AMPACITY	3Ø 4W	LUGS PER PHASE 300-800 KCM		UNPROTECTED FAULT CURRENT RATING	ENCLOSURE SIZE			SHIPPING WEIGHTS
		LINE	LOAD		WIDTH	HEIGHT	DEPTH	
1200	PMCT124	3	3	100,000 Amp	40"	64"	30"	475 LBS.
1600	PMCT164	4	4	100,000 Amp	40"	64"	30"	490 LBS.
2000	PMCT204	5	5	100,000 Amp	40"	64"	30"	500 LBS.

\* IF METER FITTING IS NEEDED ADD SUFFIX "MF" TO END OF CATALOG NUMBER.



BOTTOM VIEW  
(SHOWING AVAILABLE  
CONDUIT SPACE)

REMOVABLE COVERS OVER  
CONDUCTOR COMPARTMENT



**ERICKSON ELECTRICAL EQUIPMENT CO.**  
 475 BONNIE LANE • ELK GROVE VILLAGE, IL 60007  
 TELEPHONE: (847) 640-7701 / 1-800-952-7225  
 FAX: (847) 640-0565