

480Y/277 VOLTS ERICKSON ELECTRICAL EQUIPMENT CO. COMMERCIAL METERING PANELBOARDS

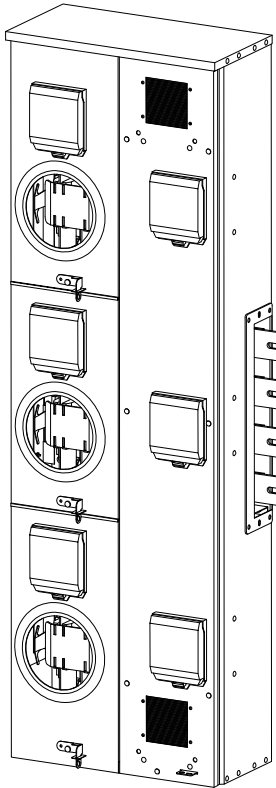
WITH DUAL DISCONNECTS
(NON FUSED, COLD SEQUENCE & FUSED, HOT SEQUENCE)

FEATURES:

- GANGABLE, AVAILABLE 1 TO 3 POSITIONS HIGH.
- TYPE 3R ALUMINUM ENCLOSURES INSTALL EASILY, NEVER RUST.
- METER SOCKETS ARE EQUIPPED WITH LEVER BY-PASS AND FEATURE RINGLESS COVERS.
- EACH METER POSITION IS PROVIDED WITH TWO PULLOUT SWITCHES. THE NON-FUSED PULLOUT AHEAD OF THE METER SOCKET IS PROVIDED TO MEET THE UTILITY COMPANY REQUIREMENT FOR A NON-FUSED COLD SEQUENCE DISCONNECT. THIS DISCONNECT IS LOCKABLE AND SEALABLE BY THE UTILITY COMPANY.

THE CLASS 'T' FUSIBLE PULLOUT SWITCH ON THE LOAD SIDE OF THE METER SOCKET PROVIDES OVERCURRENT PROTECTION AND DISCONNECTING MEANS FOR THE TENANT CONDUCTORS. CLASS 'T' FUSES PROVIDE A SHORT CIRCUIT CURRENT RATING OF 200,000 RMS SYMMETRICAL AMPERES FOR EACH METER SOCKET.

- ENTRANCE SECTIONS MAY HAVE MAIN LUGS ONLY, BOLTED-PRESSURE CONTACT MAIN FUSIBLE SWITCHES OR MAIN CIRCUIT BREAKERS. SEE SEPARATE BULLETINS.
- SIMPLE INSTALLATION, WITH SINGLE BOLT MAIN BUS JOINTS.
- C/T. SECTIONS WITH 400, 600 OR 800 AMP. DISCONNECT SWITCHES ARE AVAILABLE.
- LISTED BY UNDERWRITERS LABORATORIES INC, AS ENCLOSED PANELBOARDS, FILE E-12208



APPLICATION: FOR MULTIPLE OCCUPANCY OR TENANT METERING. WHERE DISCONNECT / METER SEQUENCE (COLD SEQUENCE) IS REQUIRED. USE WITH TERMINATION BOX, MAIN BREAKER OR MAIN SWITCH.

RATINGS: 1200A MAIN BUS, OVER CURRENT DEVICES ARE CLASS 'T' FUSIBLE PULL-OUT SWITCHES, MAXIMUM 200 AMPS; WITH 200,000 RMS AMPS. SHORT CIRCUIT CURRENT RATINGS.

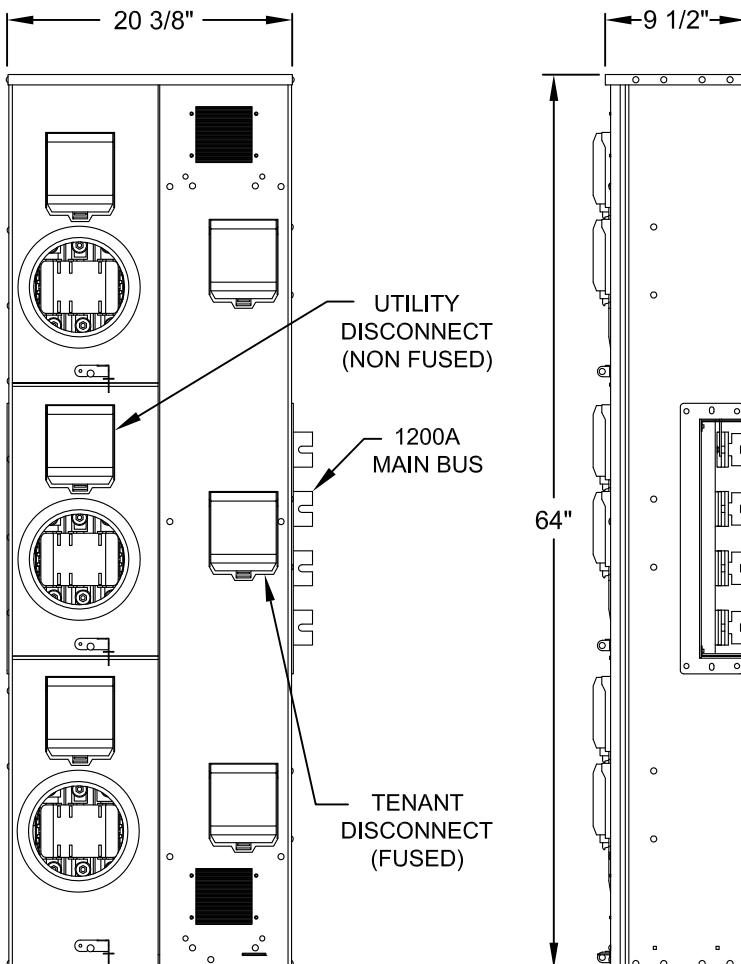
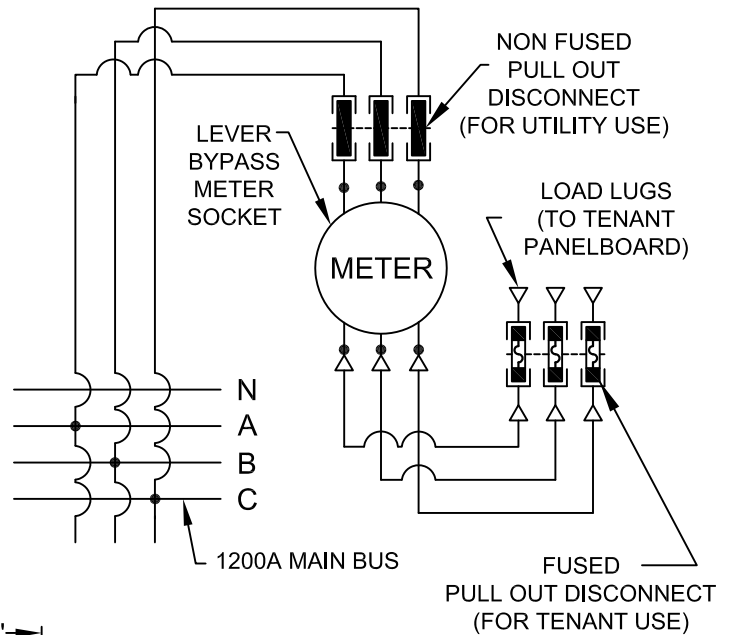
www.ericksonelectric.com

ERICKSON ELECTRICAL EQUIPMENT CO.
475 BONNIE LANE • ELK GROVE VILLAGE, IL 60007
TELEPHONE: (847) 640-7701 / 1-800-952-7225
FAX: (847) 640-0565

DUAL DISCONNECT COMMERCIAL METERING PANELBOARDS

(480Y/277VAC MAXIMUM)

NUMBER OF POSITIONS	CAT. # WITH 3 PH. BRANCHES
3	6CMDD87-3
2	6CMDD87-2
1	6CMDD87-1



www.ericksonelectric.com

ERICKSON ELECTRICAL EQUIPMENT CO.
 475 BONNIE LANE • ELK GROVE VILLAGE, IL 60007
 TELEPHONE: (847) 640-7701 / 1-800-952-7225
 FAX: (847) 640-0565