

NOVEMBER 1, 2007

BULLETIN

CTA/D-07



www.ericksonelectric.com

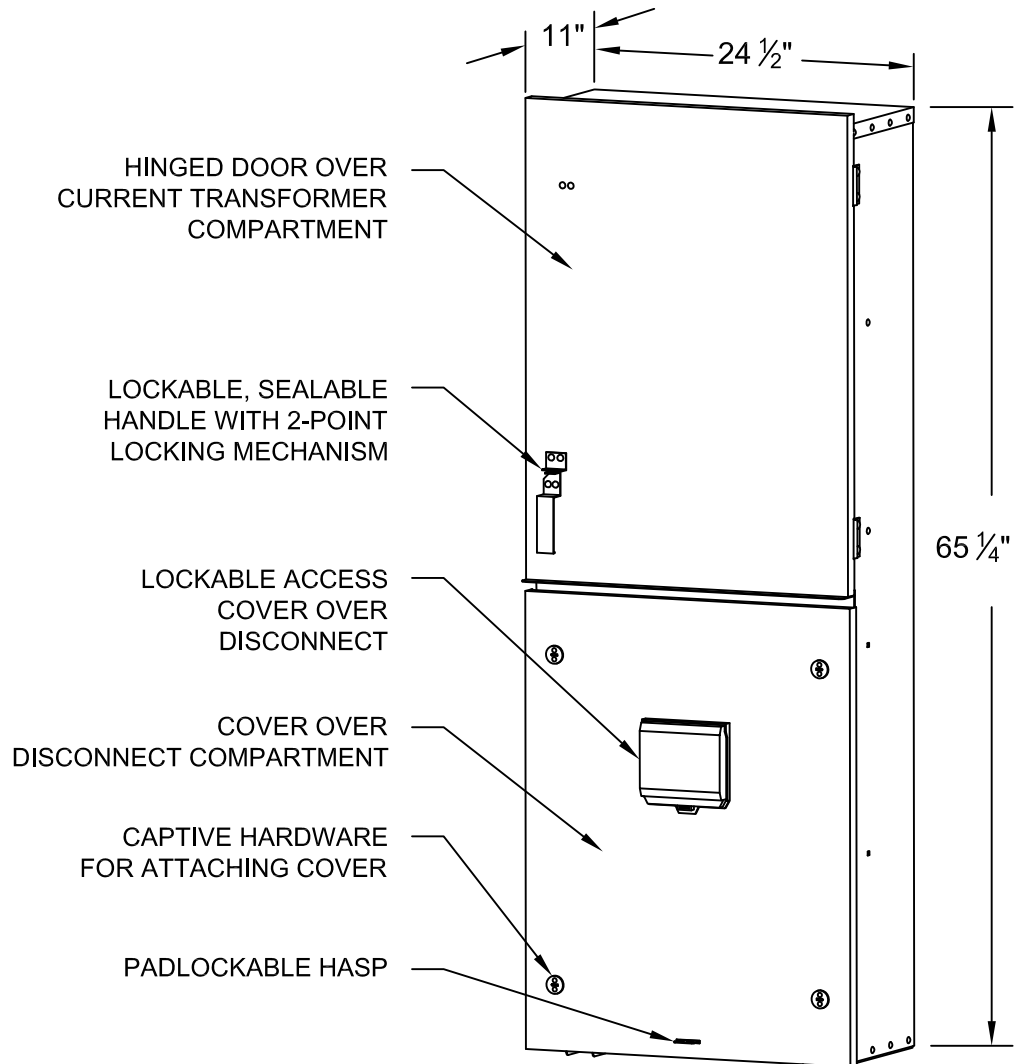
400 AMP.
COMBINATION
METERING
TRANSFORMER
SECTION
AND MAIN
DISCONNECT



SUITABLE FOR
OVERHEAD OR
UNDERGROUND
SERVICE
CONDUCTORS

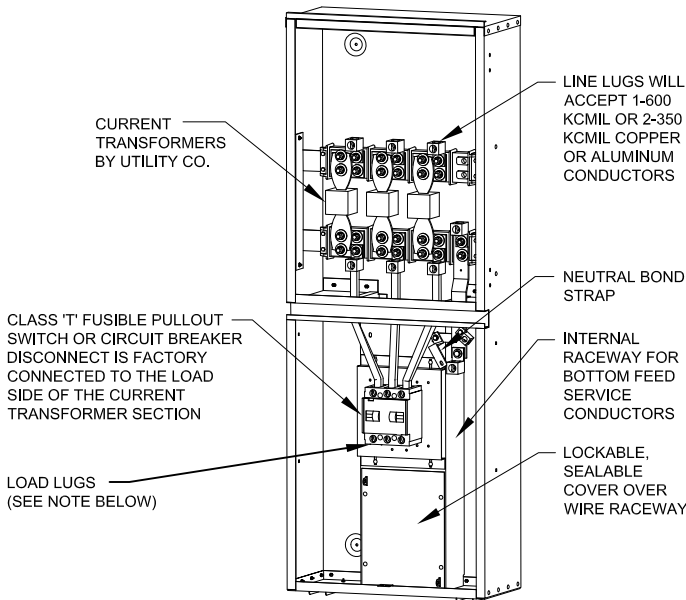
240/120 VOLT
208Y/120 VOLT
OR
480Y/277 VOLT

TYPE 3R ENCLOSURE
FOR INDOOR OR
OUTDOOR USE.



AVAILABLE WITH 1-400 AMP
PULLOUT OR CIRCUIT BREAKER

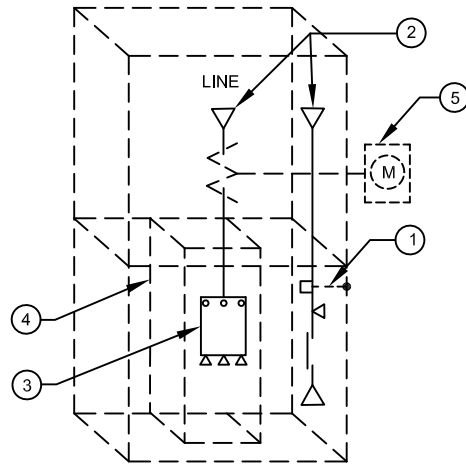
ERICKSON ELECTRICAL EQUIPMENT CO.
475 BONNIE LANE • ELK GROVE VILLAGE, IL 60007
TELEPHONE: (847) 640-7701 / 1-800-952-7225
FAX: (847) 640-0565



LOAD LUGS

THE 400 AMP PULLOUT SWITCH IS PROVIDED WITH LOAD LUGS THAT WILL ACCEPT 1-500 KCMIL - #2 OR 2-250 KCMIL - #1/0 COPPER OR ALUMINUM CONDUCTORS PER TERMINAL.

THE 400 AMP CIRCUIT BREAKER CAN BE PROVIDED WITH LOAD LUGS THAT WILL ACCEPT 1-500 KCMIL - 250 KCMIL (TERMINAL KIT TA350K) OR 2-250 KCMIL - #3/0 COPPER OR ALUMINUM CONDUCTORS PER TERMINAL. (TERMINAL KIT 3TA400K) PLEASE SPECIFY AT TIME OF ORDER.



ONE LINE DIAGRAM

- ① NEUTRAL BOND (FOR SERVICE ENTRANCE EQUIPMENT)
- ② LINE LUGS
- ③ PULL OUT OR CIRCUIT BREAKER DISCONNECT
- ④ METAL RACEWAY FOR UNMETERED SERVICE CONDUCTORS (FOR UNDERGROUND SERVICE CONDUCTORS)
- ⑤ CURRENT TRANSFORMERS & METER

CATALOG NUMBERS	SYSTEM	VOLTAGE	DISCONNECT TYPE	SHORT CIRCUIT CURRENT RATING	SHIPPING WT.
CTADK325N	1Ø 3W	240/120	'DK' CIRCUIT BREAKER	65,000 A.	160 LBS.
CTADK425N	3Ø 4W	208Y/120			
CTAKD435N	3Ø 4W	480Y/277	'KD' CIRCUIT BREAKER	35,000 A.	
CTAP325N *	1Ø 3W	240/120	CLASS 'T' FUSIBLE PULL OUT SWITCH	200,000 A.	
CTAP425N *	3Ø 4W	208Y/120			
CTAP465N **	3Ø 4W	480Y/277			

* USE CLASS 'T' FUSES RATED 300 VOLTS

** USE CLASS 'T' FUSES RATED 600 VOLTS

NOTE: ADD THE SUFFIX "PT" IF PROVISIONS FOR MOUNTING POTENTIAL TRANSFORMER IS REQUIRED BY THE UTILITY COMPANY FOR 480Y/277V METERING.

CLASS 'T' FUSES MAY NOT BE SUITABLE FOR APPLICATIONS WHERE LARGE INRUSH CURRENTS ARE ENCOUNTERED.

ERICKSON ELECTRICAL EQUIPMENT CO.
 475 BONNIE LANE • ELK GROVE VILLAGE, IL 60007
 TELEPHONE: (847) 640-7701 / 1-800-952-7225
 FAX: (847) 640-0565